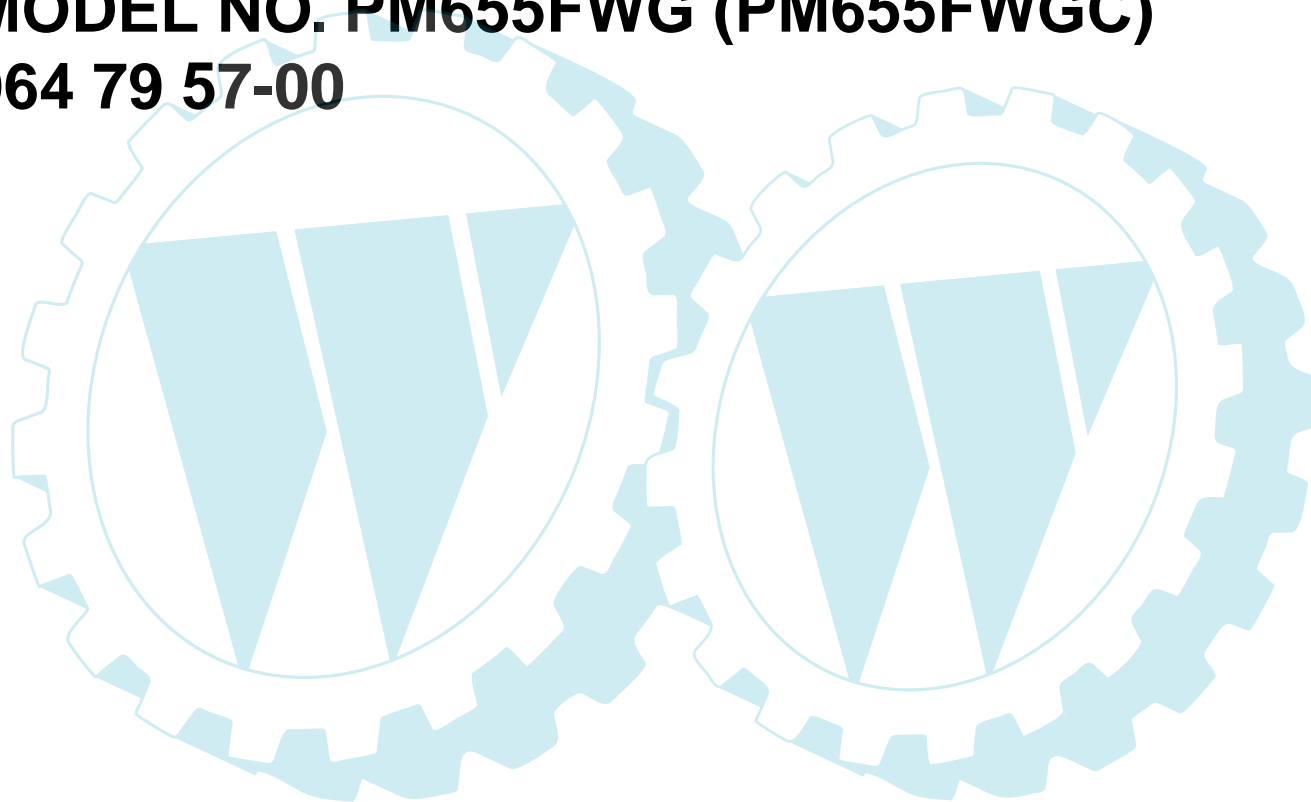
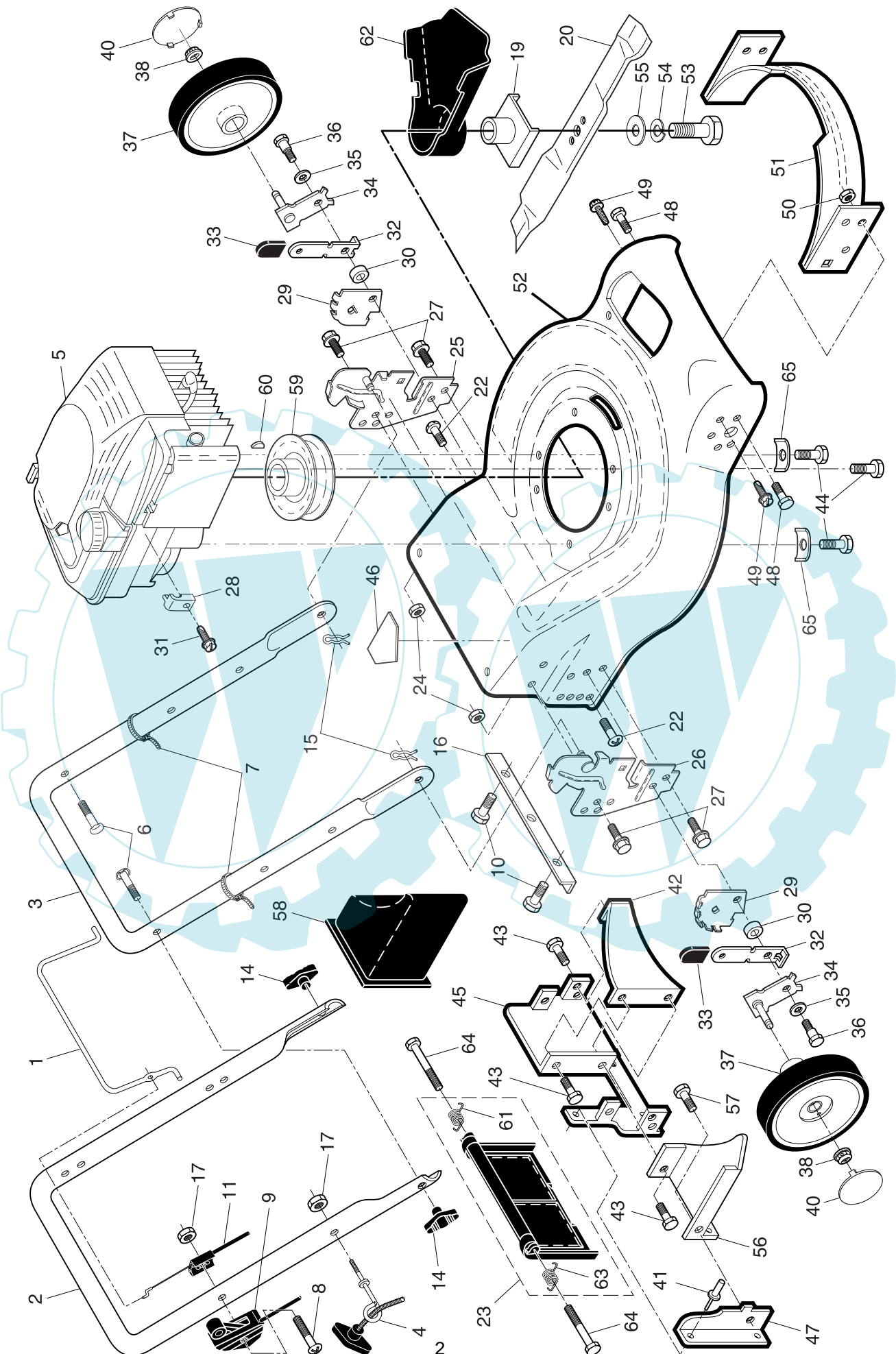


ILLUSTRATED PARTS BREAKDOWN

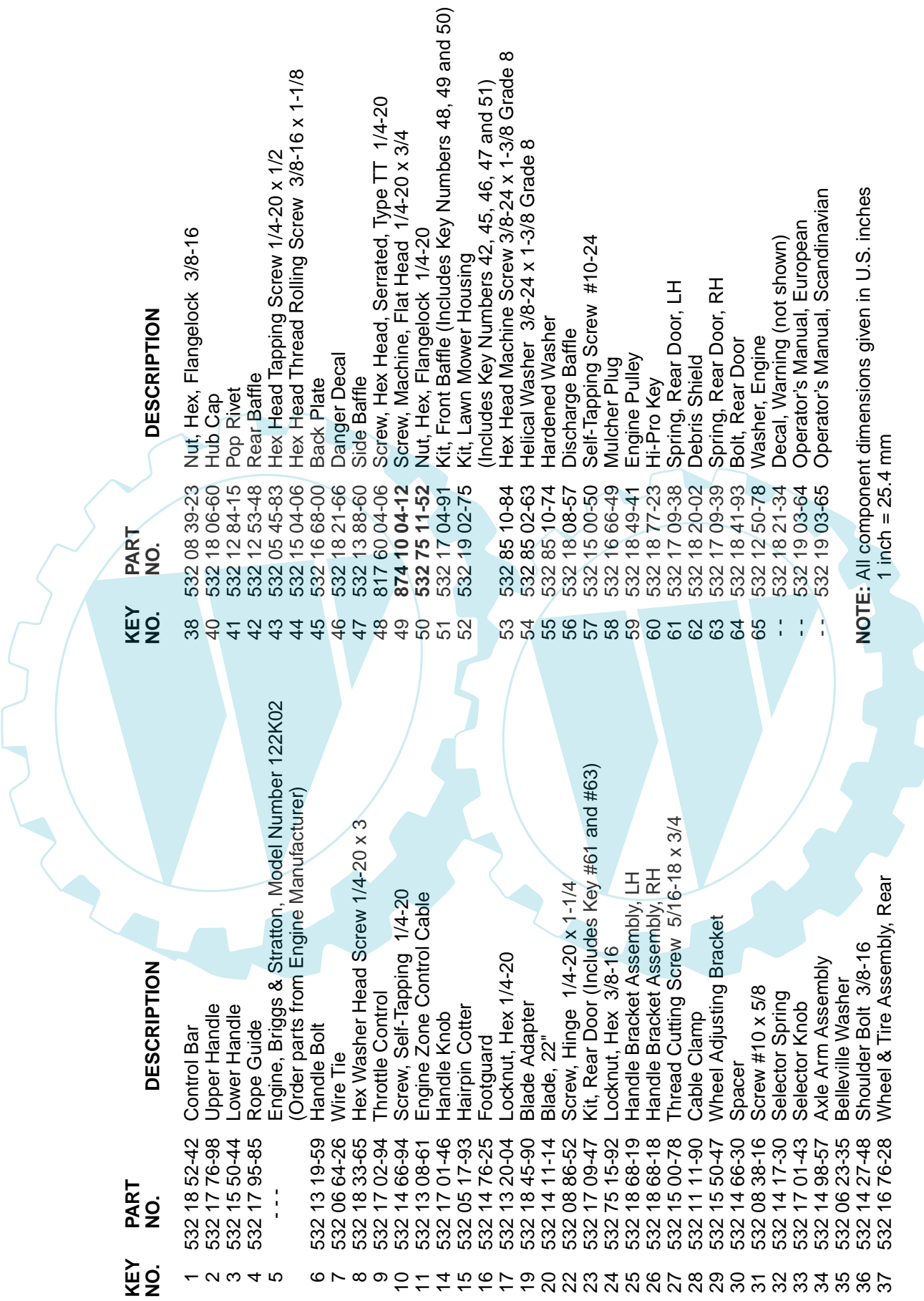
**PRO MAC
6.0 HORSEPOWER
22" REAR DISCHARGE LAWN MOWER
MODEL NO. PM655FWG (PM655FWGC)
964 79 57-00**



ROTARY LAWN MOWER -- MODEL NUMBER PM655FWG (PM655FWGC) PRODUCT NUMBER 964 79 57-00



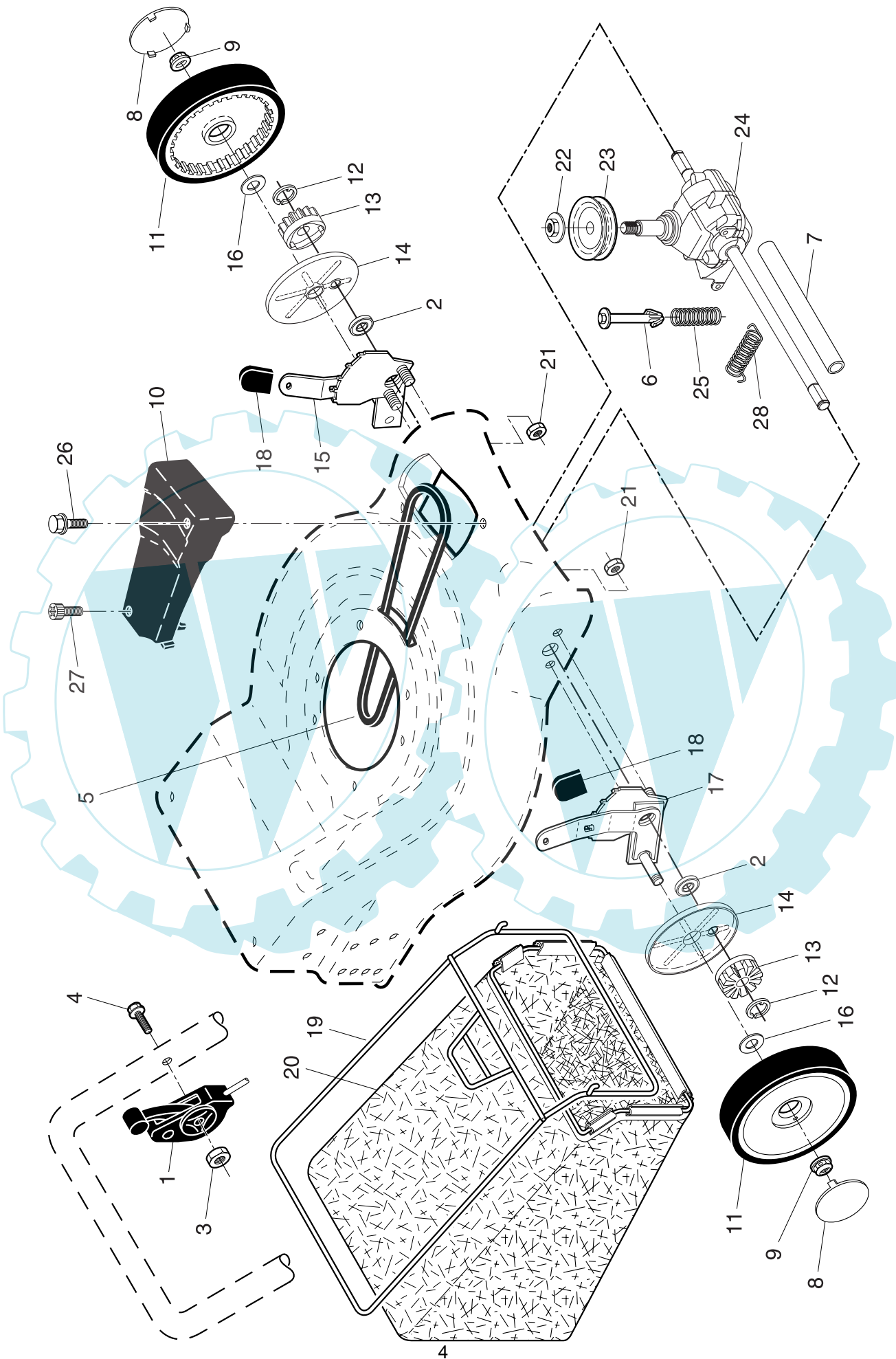
ROTARY LAWN MOWER - - MODEL NUMBER PM655FWG (PM655FWGC) PRODUCT NUMBER 964 79 57-00



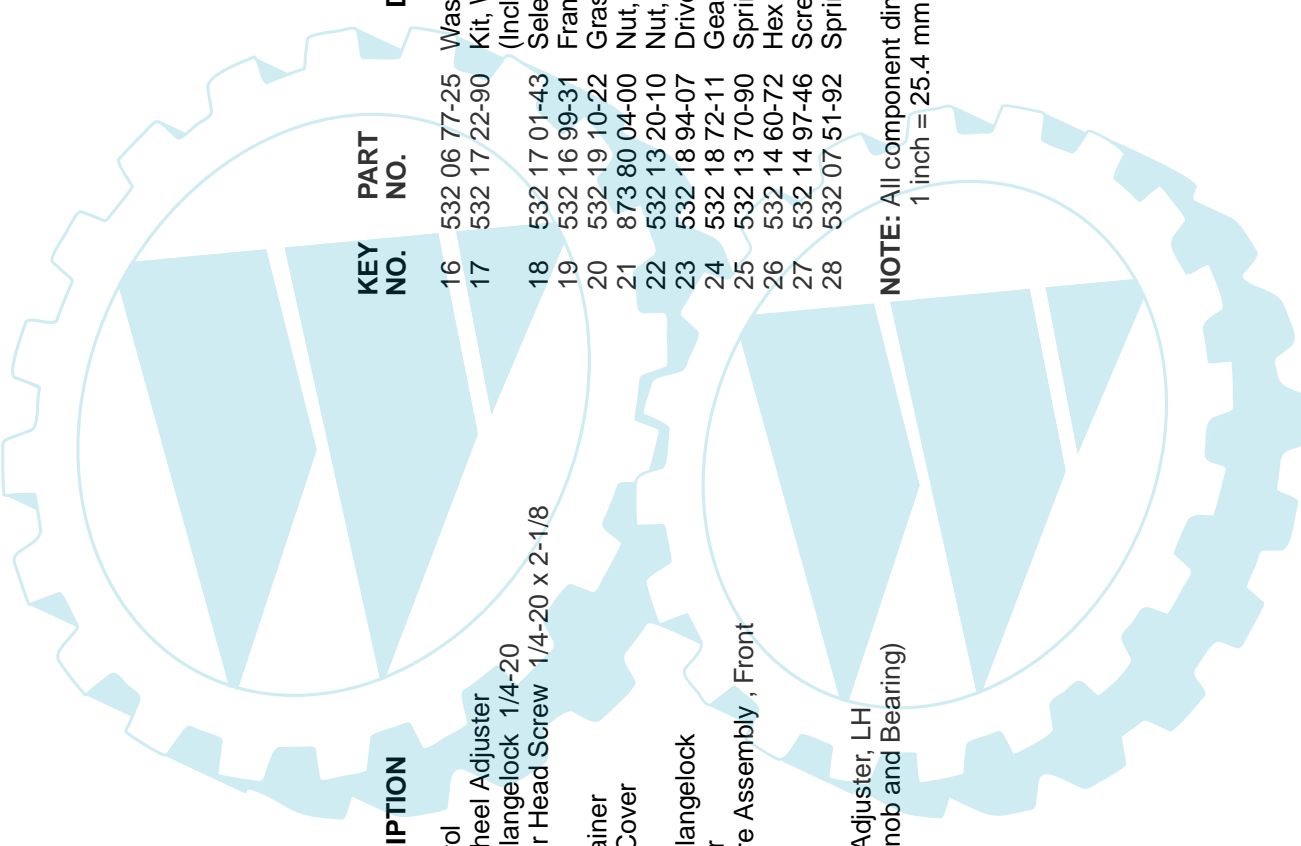
KEY NO.	PART NO.	DESCRIPTION	KEY NO.	PART NO.	DESCRIPTION
1	532 18 52-42	Control Bar	38	532 08 39-23	Nut, Hex, Flangelock 3/8-16
2	532 17 76-98	Upper Handle	40	532 18 06-60	Hub Cap
3	532 15 50-44	Lower Handle	41	532 12 84-15	Pop Rivet
4	532 17 95-85	Rope Guide	42	532 12 53-48	Rear Baffle
5	---	Engine, Briggs & Stratton, Model Number 122K02 (Order parts from Engine Manufacturer)	43	532 05 45-83	Hex Head Tapping Screw 1/4-20 x 1/2
6	532 13 19-59	Handle Bolt	44	532 15 04-06	Hex Head Thread Rolling Screw 3/8-16 x 1-1/8
7	532 06 64-26	Wire Tie	45	532 16 68-00	Back Plate
8	532 18 33-65	Hex Washer Head Screw 1/4-20 x 3	46	532 18 21-66	Danger Decal
9	532 17 02-94	Throttle Control	47	532 13 88-60	Side Baffle
10	532 14 66-94	Screw, Self-Tapping 1/4-20	48	817 60 04-06	Screw, Hex Head, Serrated, Type TT 1/4-20
11	532 13 08-61	Engine Zone Control Cable	49	874 10 04-12	Screw, Machine, Flat Head 1/4-20 x 3/4
14	532 17 01-46	Handle Knob	50	532 75 11-52	Nut, Hex, Flangelock 1/4-20
15	532 05 17-93	Hairpin Cotter	51	532 17 04-91	Kit, Front Baffle (Includes Key Numbers 48, 49 and 50)
16	532 14 76-25	Footguard	52	532 19 02-75	Kit, Lawn Mower Housing (Includes Key Numbers 42, 45, 46, 47 and 51)
17	532 13 20-04	Locknut, Hex 1/4-20	53	532 85 10-84	Hex Head Machine Screw 3/8-24 x 1-3/8 Grade 8
19	532 18 45-90	Blade Adapter	54	532 85 02-63	Helical Washer 3/8-24 x 1-3/8 Grade 8
20	532 14 11-14	Blade, 22"	55	532 85 10-74	Hardened Washer
22	532 08 86-52	Screw, Hinge 1/4-20 x 1-1/4	56	532 18 08-57	Discharge Baffle
23	532 17 09-47	Kit, Rear Door (Includes Key #61 and #63)	57	532 15 00-50	Self-Tapping Screw #10-24
24	532 75 15-92	Locknut, Hex 3/8-16	58	532 16 66-49	Mulcher Plug
25	532 18 68-19	Handle Bracket Assembly, LH	59	532 18 49-41	Engine Pulley
26	532 18 68-18	Handle Bracket Assembly, RH	60	532 18 77-23	Hi-Pro Key
27	532 15 00-78	Thread Cutting Screw 5/16-18 x 3/4	61	532 17 09-38	Spring, Rear Door, LH
28	532 11 11-90	Cable Clamp	62	532 18 20-02	Debris Shield
29	532 15 50-47	Wheel Adjusting Bracket	63	532 17 09-39	Spring, Rear Door, RH
30	532 14 66-30	Spacer	64	532 18 41-93	Bolt, Rear Door
31	532 08 38-16	Screw #10 x 5/8	65	532 12 50-78	Washer, Engine
32	532 14 17-30	Selector Spring	--	532 18 21-34	Decal, Warning (not shown)
33	532 17 01-43	Selector Knob	--	532 19 03-64	Operator's Manual, European
34	532 14 98-57	Axle Arm Assembly	--	532 19 03-65	Operator's Manual, Scandinavian
35	532 06 23-35	Belleville Washer			
36	532 14 27-48	Shoulder Bolt 3/8-16			
37	532 16 76-28	Wheel & Tire Assembly, Rear			

NOTE: All component dimensions given in U.S. inches
1 inch = 25.4 mm

ROTARY LAWN MOWER -- MODEL NUMBER PM655FWG (PM655FWGC) PRODUCT NUMBER 964 79 57-00



ROTARY LAWN MOWER - - MODEL NUMBER PM655FWG (PM655FWGC) PRODUCT NUMBER 964 79 57-00



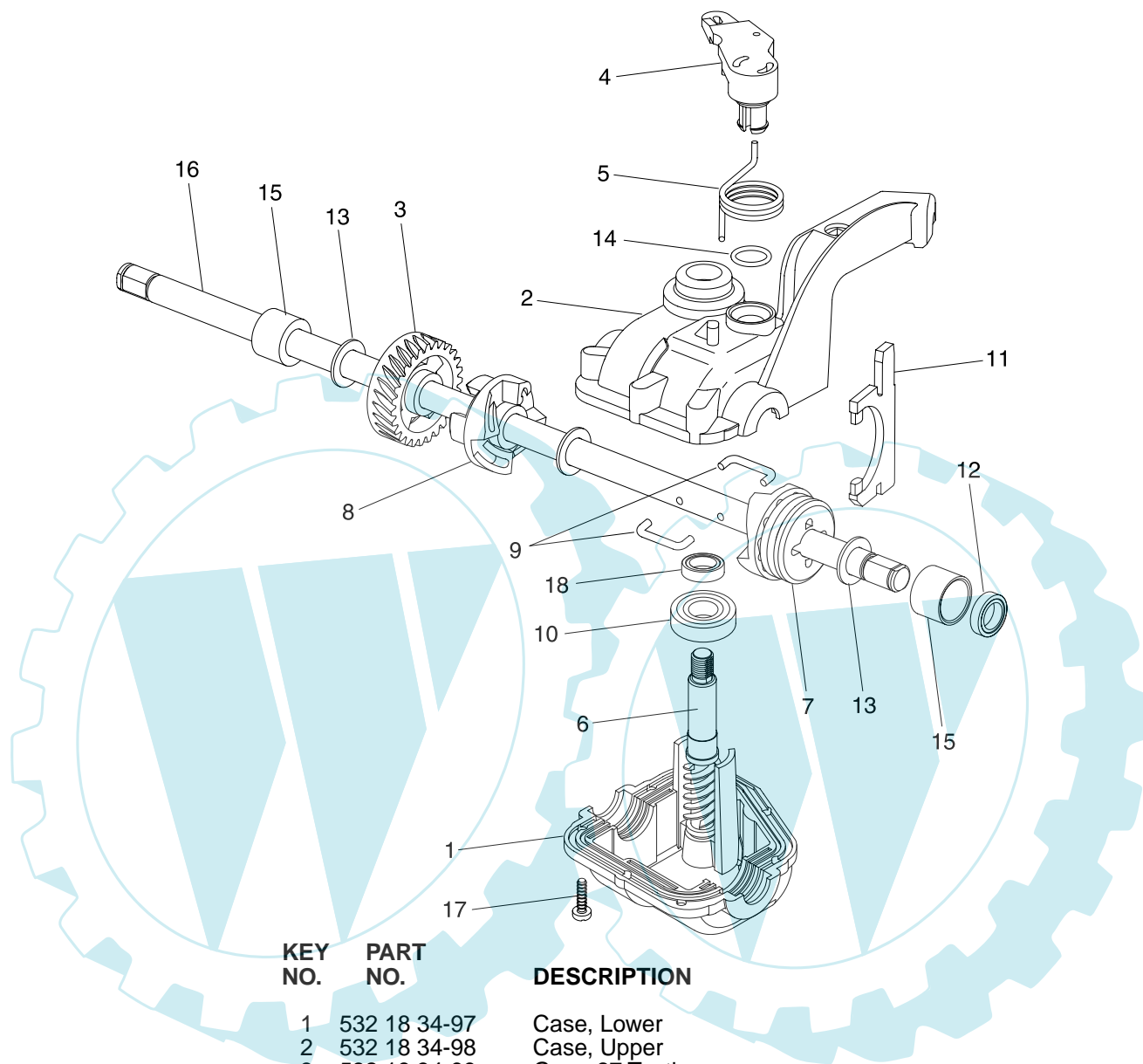
KEY NO.	PART NO.	DESCRIPTION	KEY NO.	PART NO.	DESCRIPTION
1	532 18 45-87	Drive Control	16	532 06 77-25	Washer 1/2 x 1-1/2 x .134
2	532 16 73-87	Bearing, Wheel Adjuster	17	532 17 22-90	Kit, Wheel Adjuster, RH (Includes Knob and Bearing)
3	532 75 11-52	Nut, Hex, Flangelock 1/4-20	18	532 17 01-43	Selector Knob
4	532 15 87-55	Hex Washer Head Screw 1/4-20 x 2-1/8	19	532 16 99-31	Frame, Grassbag
5	532 14 65-27	V-Belt	20	532 19 10-22	Grassbag
6	532 15 04-95	Spring Retainer	21	873 80 04-00	Nut, Hex
7	532 08 60-12	Driveshaft Cover	22	532 13 20-10	Nut, Hex, Flanged, Zinc Plated 3/8-16
8	532 18 06-60	Hubcap	23	532 18 94-07	Drive Pulley
9	532 14 52-12	Nut, Hex, Flangelock	24	532 18 72-11	Gear Case Assembly (See Breakdown)
10	532 17 01-51	Drive Cover	25	532 13 70-90	Spring
11	532 18 07-67	Wheel & Tire Assembly, Front	26	532 14 60-72	Hex Washer Head Screw #10-24 x 3/4
12	812 00 00-58	E-Ring	27	532 14 97-46	Screw, Slotted, Torx #10-24 x 1-3/4
13	532 13 70-54	Pinion	28	532 07 51-92	Spring
14	532 18 05-04	Dust Cover			
15	532 17 22-91	Kit, Wheel Adjuster, LH (Includes Knob and Bearing)			

NOTE: All component dimensions given in U.S. inches
1 inch = 25.4 mm

ROTARY LAWN MOWER - - MODEL NUMBER PM655FWG (PM655FWGC)

PRODUCT NUMBER 964 79 57-00

GEAR CASE ASSEMBLY - PART NUMBER 532 18 72-11



KEY NO.	PART NO.	DESCRIPTION
1	532 18 34-97	Case, Lower
2	532 18 34-98	Case, Upper
3	532 18 34-99	Gear, 27 Teeth
4	532 18 35-00	Lever, Clutch
5	532 18 35-01	Spring, Return
6	532 18 35-02	Shaft, Input
7	532 18 35-03	Dog, Movable
8	532 18 35-04	Dog, Fixed
9	532 18 35-05	Wire, Formed
10	532 18 35-06	Bearing, Ball
11	532 18 35-07	Fork, Shift
12	532 18 35-08	Seal, Output Shaft
13	532 18 35-09	Washer
14	532 18 35-10	Seal, Case
15	532 18 35-11	Bushing
16	532 18 75-21	Shaft, Output
17	532 18 35-13	Screw
18	532 18 35-14	Seal, Input Shaft

NOTE: Use Dow Corning #709 to reseal Gear Case Halves.

NOTE: All component dimensions given in U.S. inches.
1 inch = 25.4 mm